

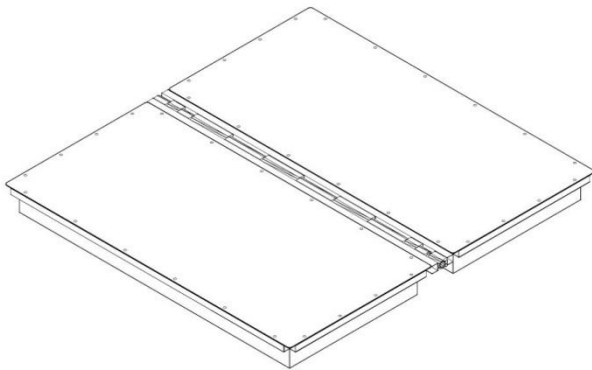


Your First Choice for Floating Dock Solutions

INSTALLATION INSTRUCTIONS

SINGLE FLOAT TO FLOAT HINGE CONNECTION (4'-8' HINGE ASSEMBLIES)

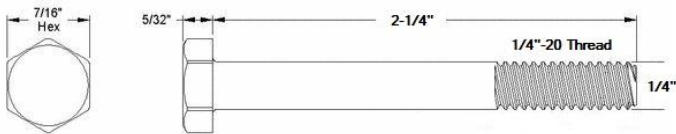
Completed View



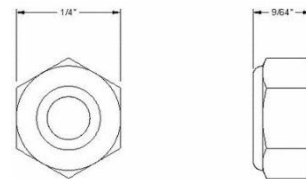
Tools Required:

- Cordless drill with  $\frac{5}{16}$ " drill bit
- $\frac{1}{2}$ " Wrench
- $\frac{7}{16}$ " Wrench

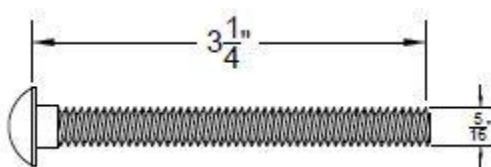
Hardware Included:



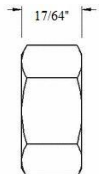
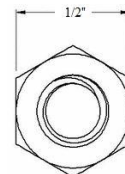
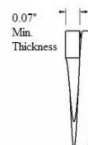
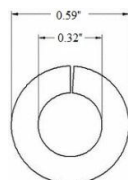
(1)  $\frac{1}{4}$ " x 2- $\frac{1}{4}$ " Hex Cap Screw



(1)  $\frac{1}{4}$ " Lock Nut



$\frac{5}{16}$ " x 3- $\frac{1}{4}$ " Carriage Bolts – amount depends on length of hinge assembly



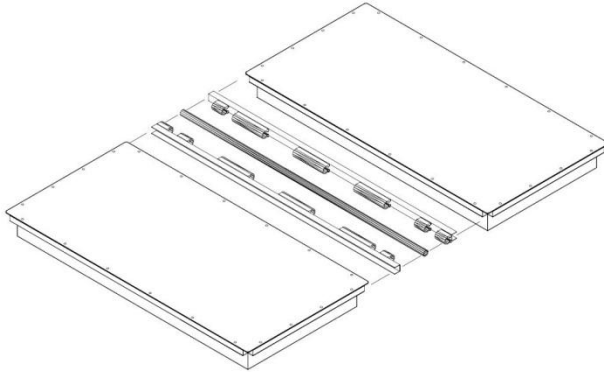
(2)  $\frac{5}{16}$ " Lock washers and nuts for  $\frac{5}{16}$ " x 3" Carriage Bolts

**ALL STAINLESS STEEL HARDWARE SHOULD BE LUBRICATED WITH SUPPLIED ANTI-SIEZE**

Please call our office if you have any questions – have your invoice number handy for reference

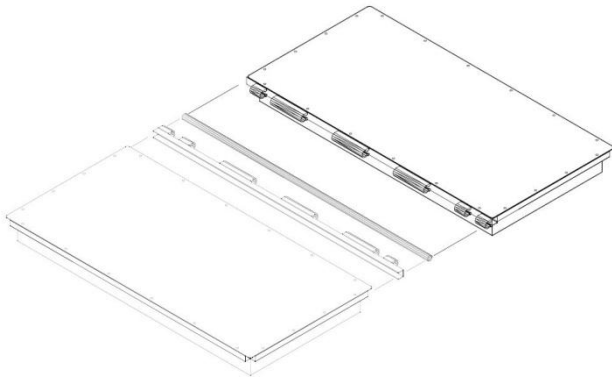
**954-785-7557**

## Assembly Instructions:



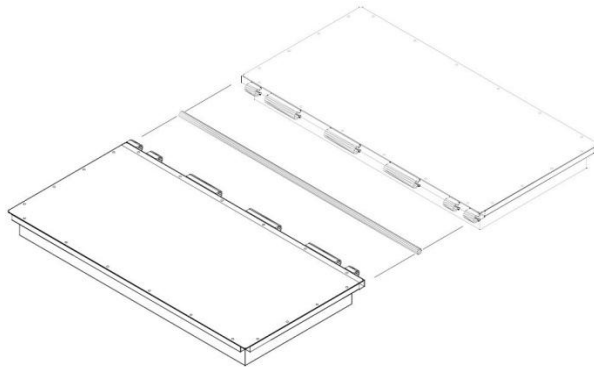
### Step 1.

Hinge assembly will ship assembled. Remove hinge pin, separate and layout all pieces of hinge assembly connection as well as the float sections.

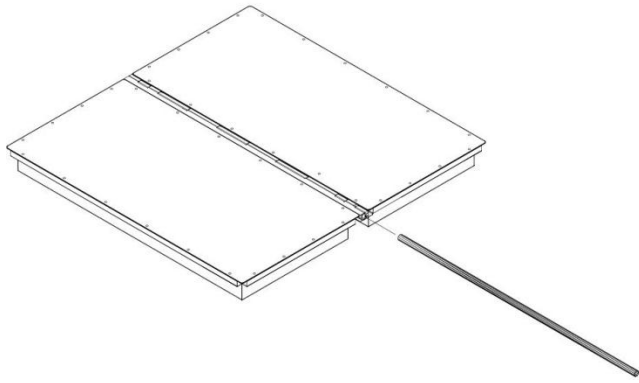


### Step 2.

Using  $\frac{1}{2}$ " wrench, remove the  $2\text{-}\frac{3}{4}$ " carriage bolts from the side of each float section the hinge will be attaching to. Each side of the hinge will be on a piece of C channel that will fit snug over the 2" frame of the float (note: should be slid underneath the plastic). Carefully align the hinge half to the end of the float. The bottom will be notched out to clear the welded on nuts on the float frame. Using the holes in the plastic as guide holes, run a  $\frac{5}{16}$ " drill bit through the hinge channel. Insert the  $3\text{-}\frac{1}{4}$ " Carriage bolts, then tighten the lock washers and nuts. Repeat these steps for the remaining side of the hinge to the other float section.



**ALL STAINLESS STEEL HARDWARE SHOULD BE LUBRICATED WITH SUPPLIED ANTI-SIEZE**  
Please call our office if you have any questions – have your invoice number handy for reference  
**954-785-7557**



### Step 3.

ON A LEVEL SURFACE OR IN THE WATER, mate the two float sections together – hinge knuckles should line up perfectly. Insert the hinge pin. Hinge pin may need to be greased for ease of installation.

Note: Hinge pin will have pre-drilled hole to accept  $\frac{1}{4}$ " x 2- $\frac{1}{4}$ " Hex Cap Screw with lock washer. This screw prevents the pin from being able to slide out. When installing the hinge pin, make sure the pre-drilled hole will line up with the 3" gap in the hinge knuckles, which allows for room to tighten the  $\frac{1}{4}$ " hinge pin bolt.

**ALL STAINLESS STEEL HARDWARE SHOULD BE LUBRICATED WITH SUPPLIED ANTI-SIEZE**  
Please call our office if you have any questions – have your invoice number handy for reference  
**954-785-7557**