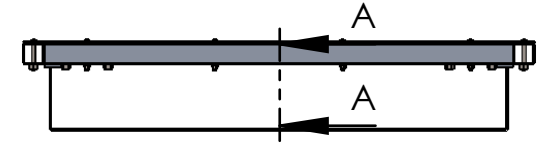


2

1

SECTION A-A
SCALE 1 : 18

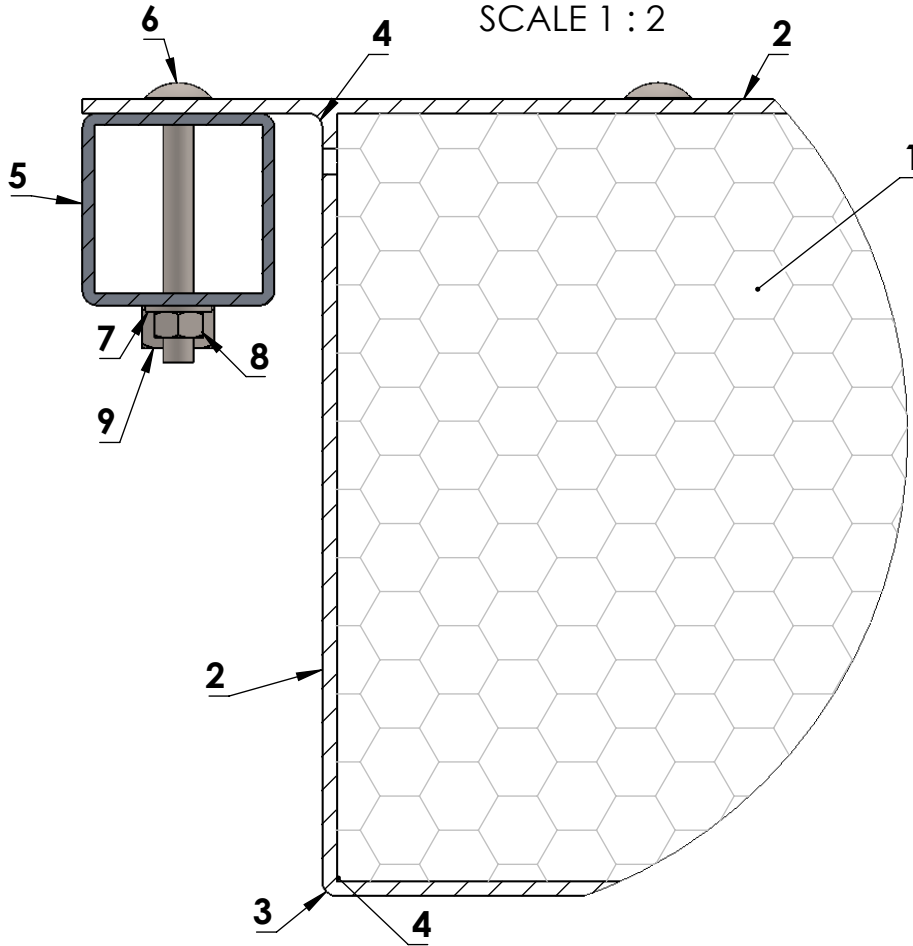
Front View



B

B

DETAIL B
SCALE 1 : 2



A

A

Label	Description
1	Polystyrene Encapsulated Foam Insert
2	0.150" HDPE Sheet
3	0.150" HDPE Triangular Weld
4	0.150" HDPE Round Weld
5	2" x 2" x 1/8" Aluminum Square Tube
6	5/16" - 18 Bolt (2-3/4" Long)
7	5/16" Flat Washer
8	5/16" Hex Nut
9	1/2" Hex Nut

PART: Framed Float Cross Section

REF #: Accudock

REV 1	DRAWN: C. DiBiasio
SCALE: 1:18	CHECKED: J. Harrison
SHEET 1 OF 1	DATE: 10/07/15

AccuDock
Your First Choice for Floating Dock Solutions

2

1