

2

1

T-Style Connector Instructions Step 1

Required Tools for Assembly:

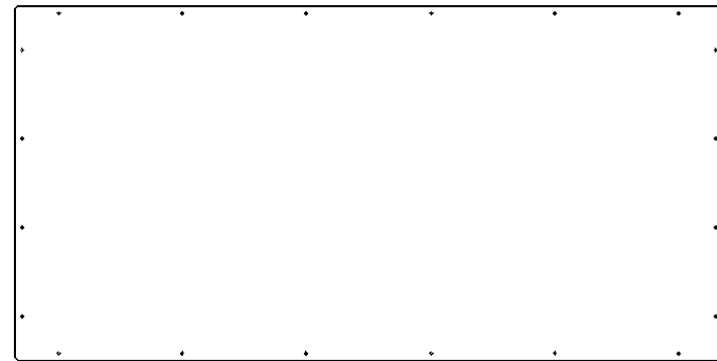
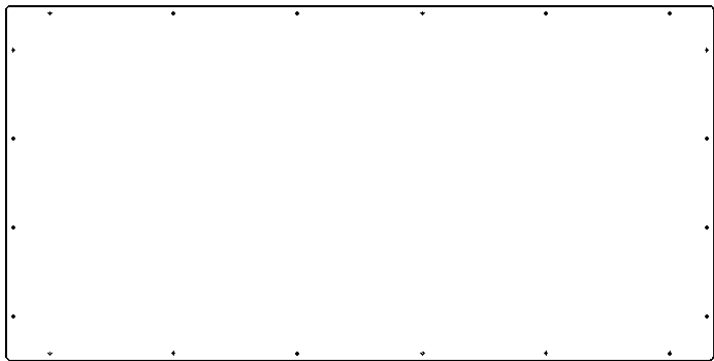
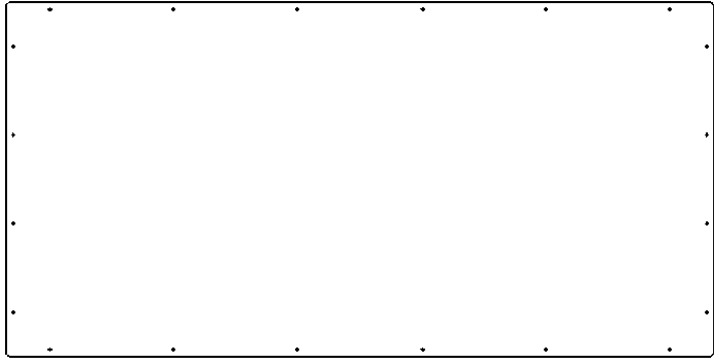
5/16" Wrench

1/2" Wrench

Cordless drill with 5/16" drill bit

Plan View

Layout the floats to be connected, along with the connectors.



B

B

A

A

PART: T-Style Connector

REF #: CON - T10

REV 1

DRAWN:

C. DiBiasio

SCALE: 1:25

CHECKED:

J. Harrison

SHEET 1 OF 4

DATE:

12/10/15



Your First Choice for Floating Dock Solutions

2

1

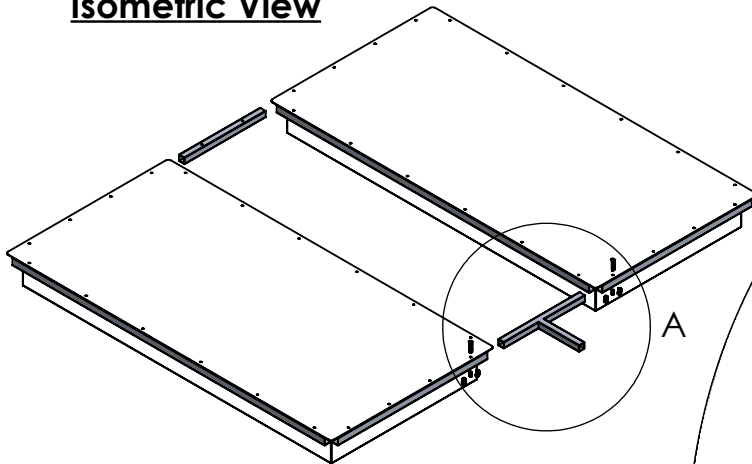
2

1

T-Style Connector Instructions Step 2

DETAIL A
SCALE 1 : 7

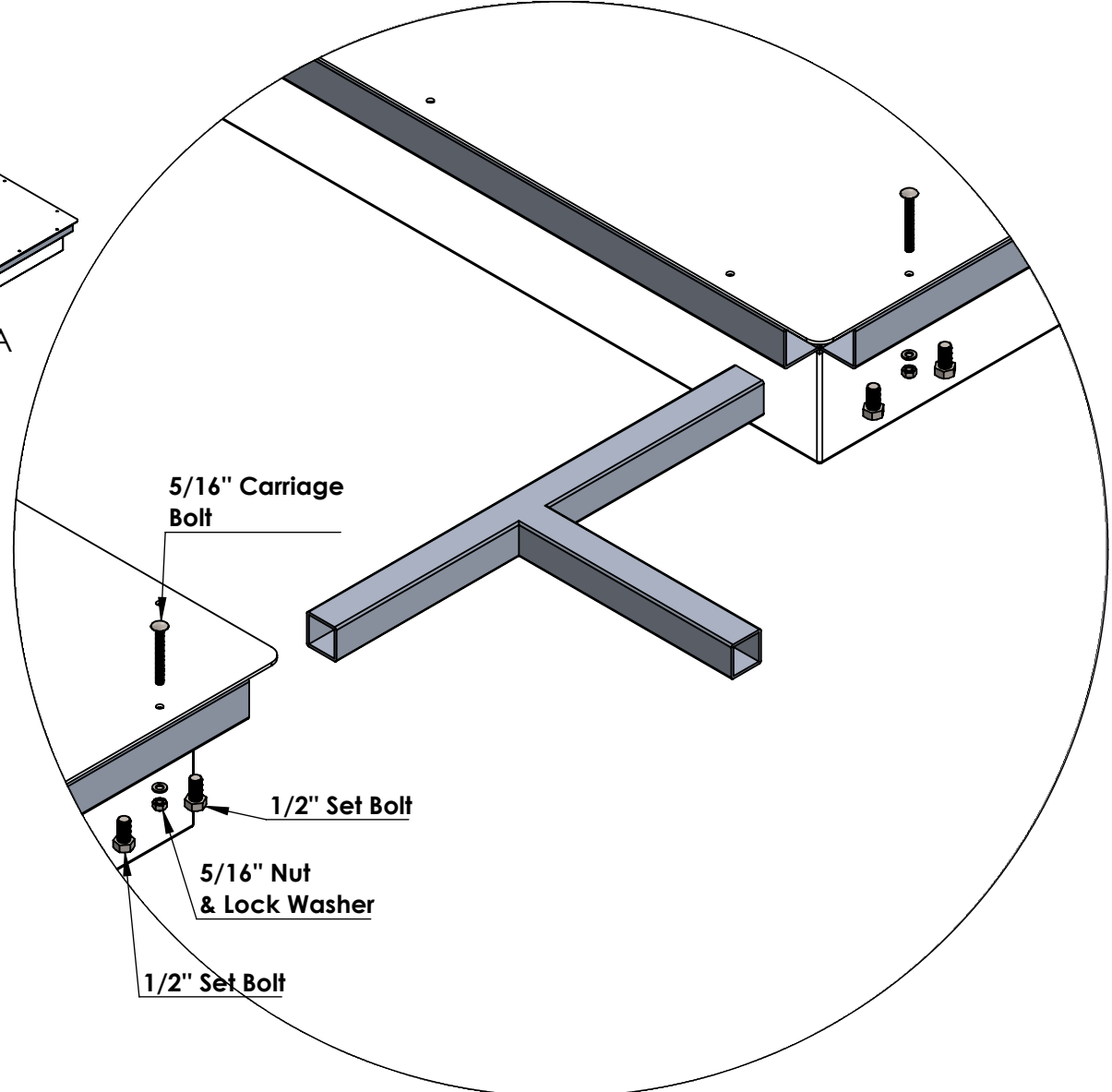
Isometric View



Directions:

Follow the steps in the "General Float Connector Instructions" in order to properly insert this end of the T-Connector into the float. Before drilling the 5/16" hole through the connector, make sure it is in as far as it can go to ensure a tight connection.

** The orientation of each T-Connector is important, make sure that both sides of the connector reach the outermost set bolts, if not then connector may have to be flipped over.



5/16" Carriage Bolt

1/2" Set Bolt

5/16" Nut & Lock Washer

1/2" Set Bolt

PART: T-Style Connector

REF #: CON - T10

REV 1

DRAWN:

C. DiBiasio

SCALE: 1:40

CHECKED:

J. Harrison

SHEET 2 OF 4

DATE:

12/10/15

AccuDock

Your First Choice for Floating Dock Solutions

2

1

2

1

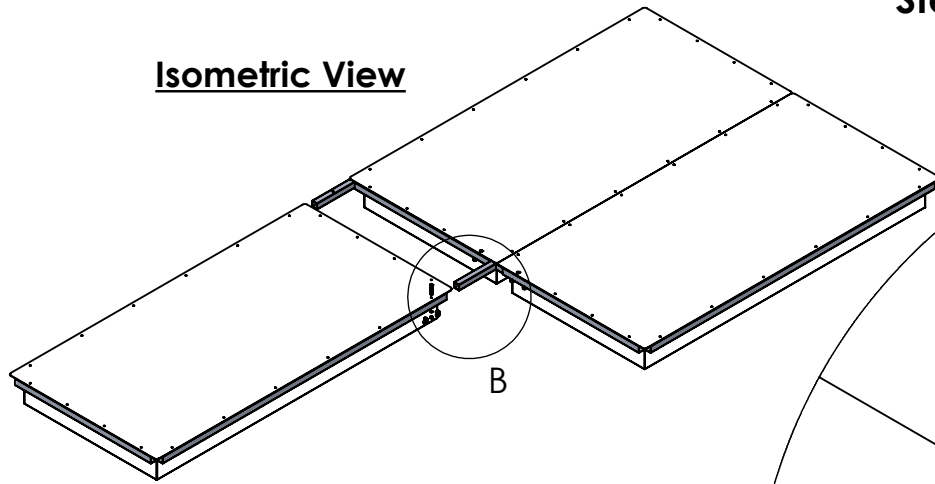
T-Style Connector Instructions Step 3

Isometric View

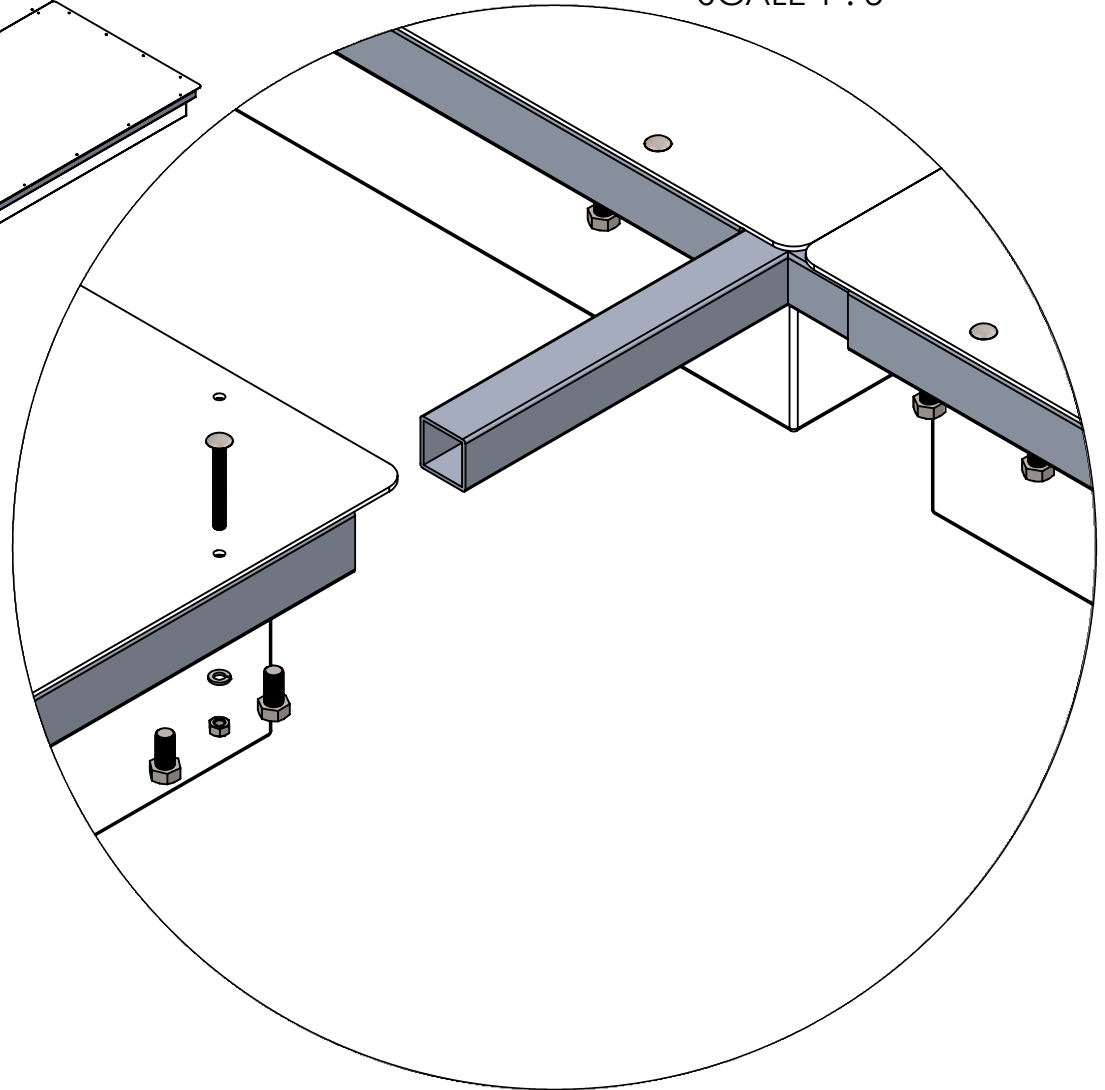
DETAIL B
SCALE 1 : 5

B

B



Directions:
 Follow the steps in the "General Float Connector Instructions" in order to properly insert this end of the T-Connector into the float. Before drilling the 5/16" hole through the connector, make sure it is in as far as it can go to ensure a tight connection.



A

A

PART: T-Style Connector

REF #: CON - T10

REV 1	DRAWN: C. DiBiasio
SCALE: 1:50	CHECKED: J. Harrison
SHEET 3 OF 4	DATE: 12/10/15

AccuDock
 Your First Choice for Floating Dock Solutions

2

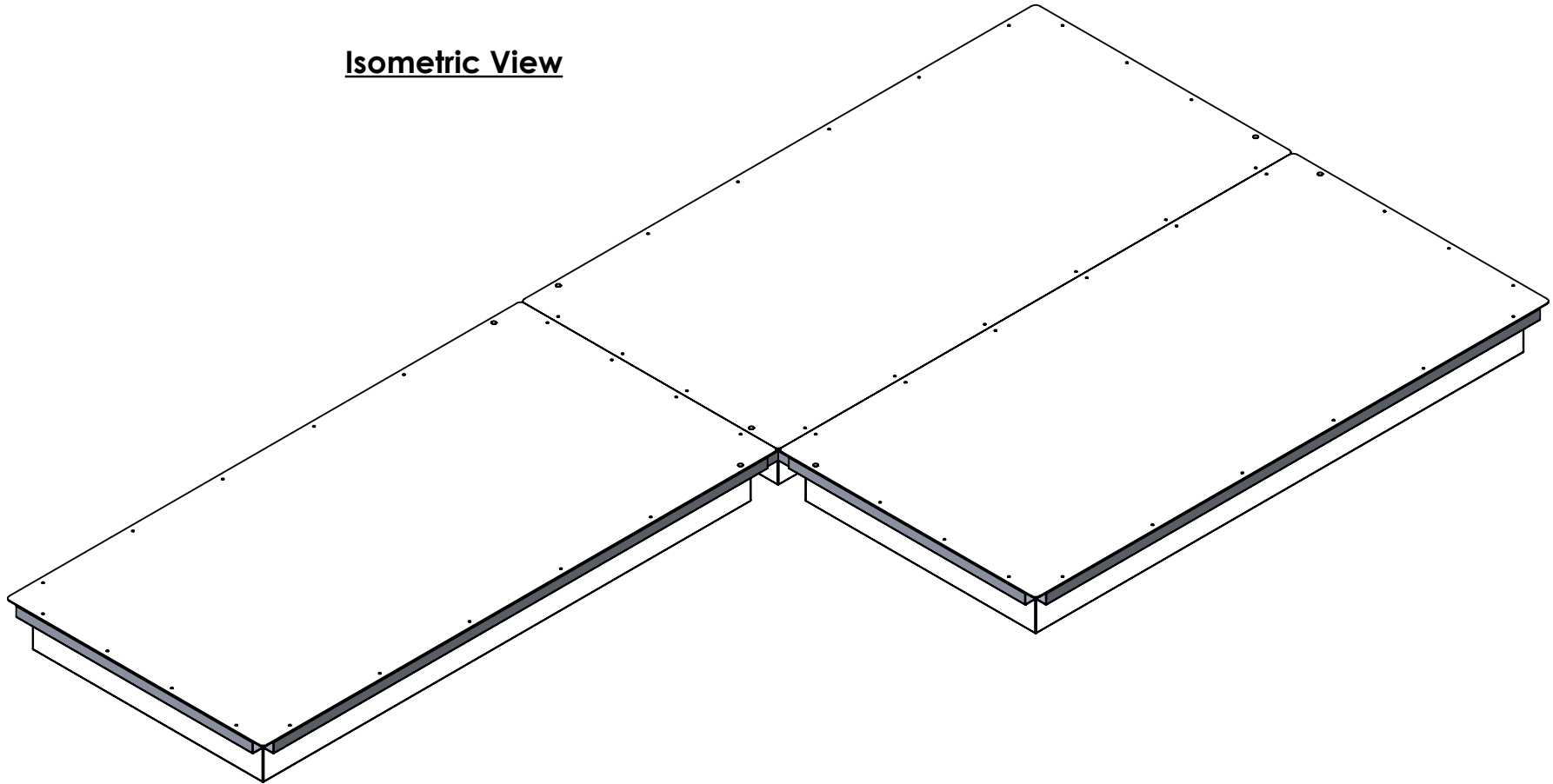
1

2

1

T-Style Connector Instructions Final Connected Floats

Isometric View



B

B

A

A

PART: T-Style Connector

REF #: CON - T10

REV 1	DRAWN:	C. DiBiasio
SCALE: 1:22	CHECKED:	J. Harrison
SHEET 4 OF 4	DATE:	12/10/15



Your First Choice for Floating Dock Solutions

2

1