

2

1

Side View

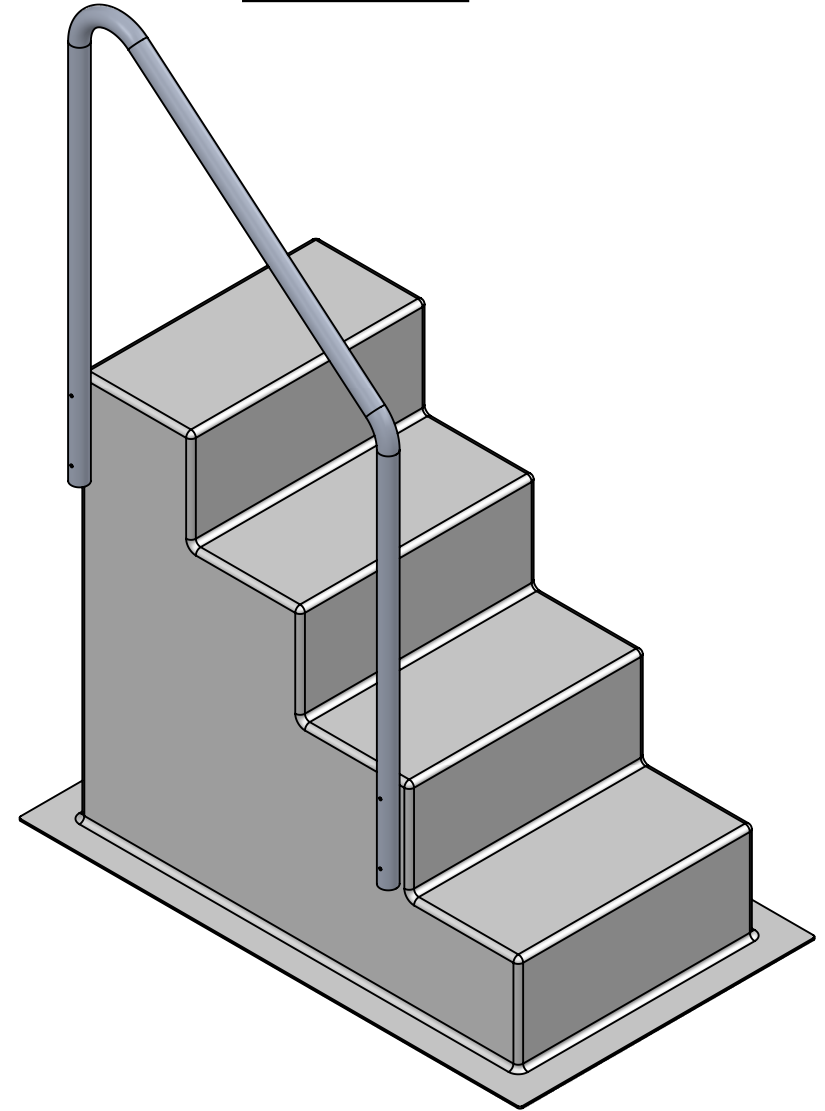
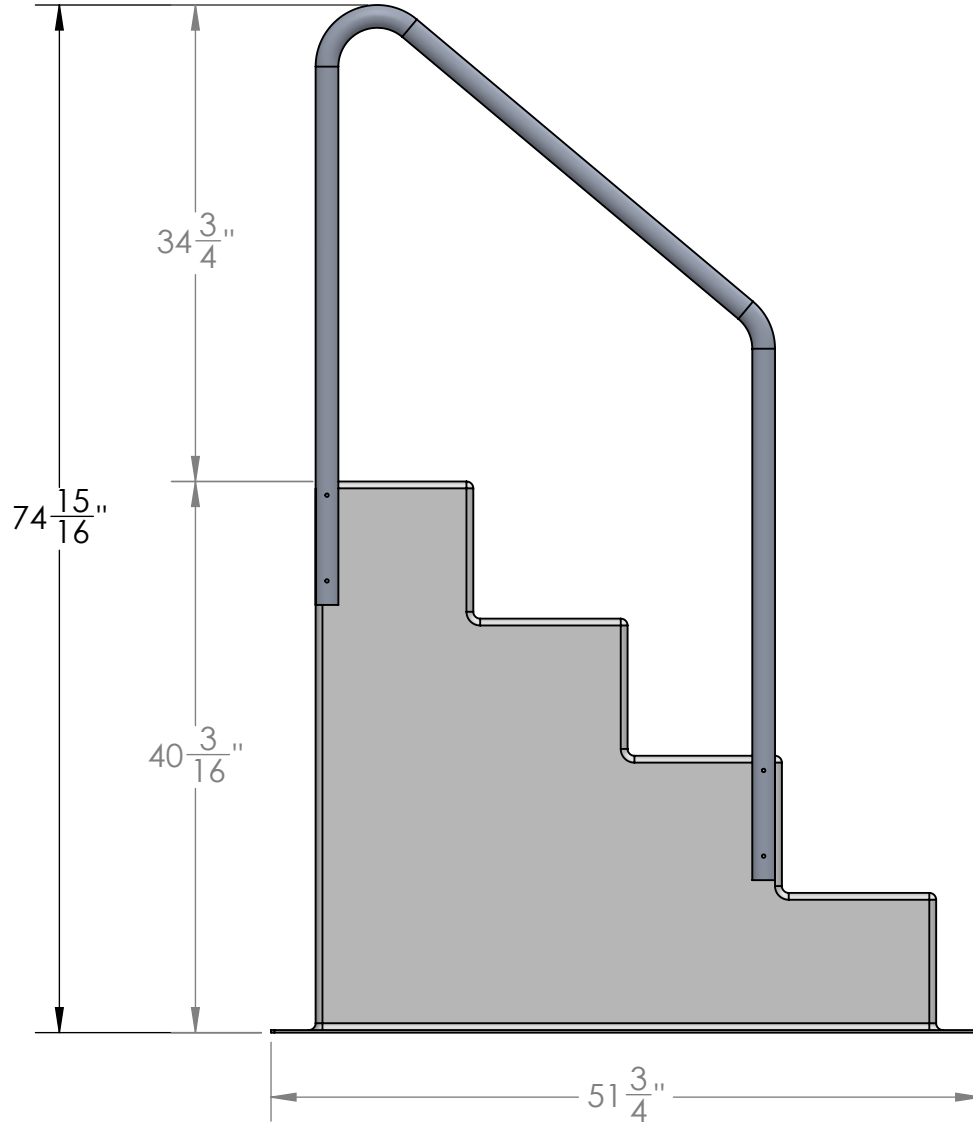
Isometric View

B

B

A

A



PART: 4 Step Stairs

REF #: ACC - 4SS

REV 1	DRAWN: C. DiBasio
SCALE: 1:14	CHECKED: J. Harrison
SHEET 1 OF 2	DATE: 03/15/16

AccuDock
Your First Choice for Floating Dock Solutions

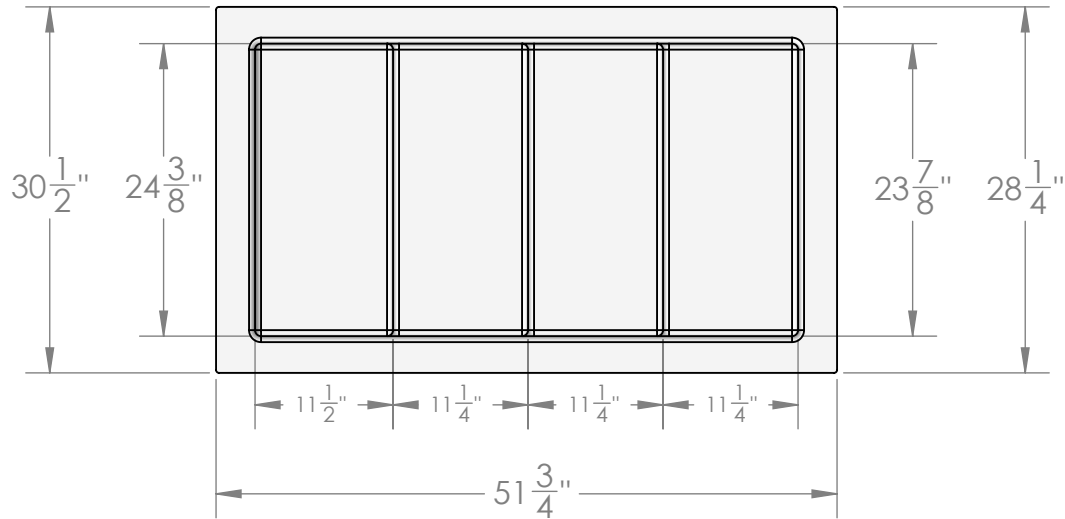
2

1

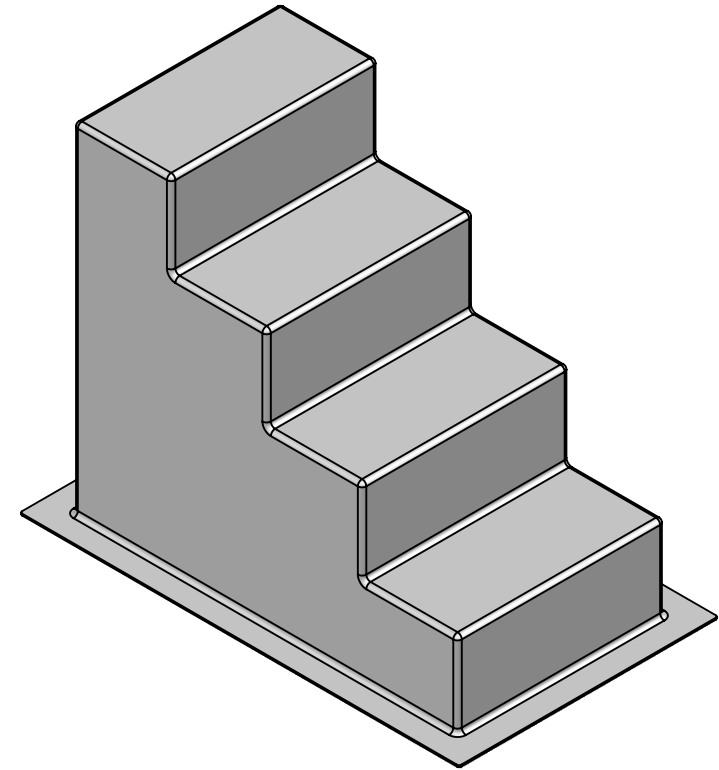
2

1

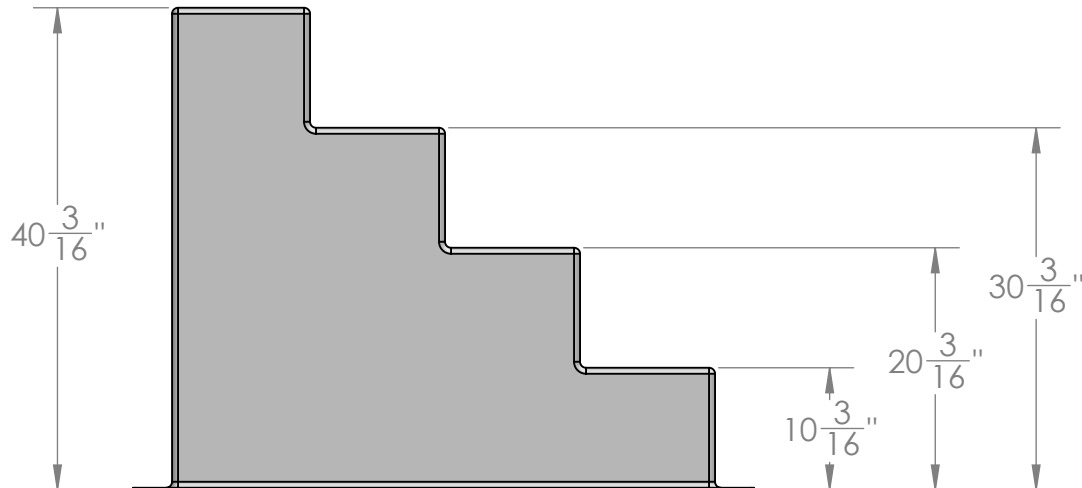
Top View



Isometric View



Side View



NOTES:
The stairs taper as you walk down them.

PART: 4 Step Stairs

REF #: ACC - 4SS

REV 1

DRAWN: C. DiBiasio

SCALE: 1:16

CHECKED: J. Harrison

SHEET 2 OF 2

DATE: 03/15/16

Your First Choice for Floating Dock Solutions

2

1