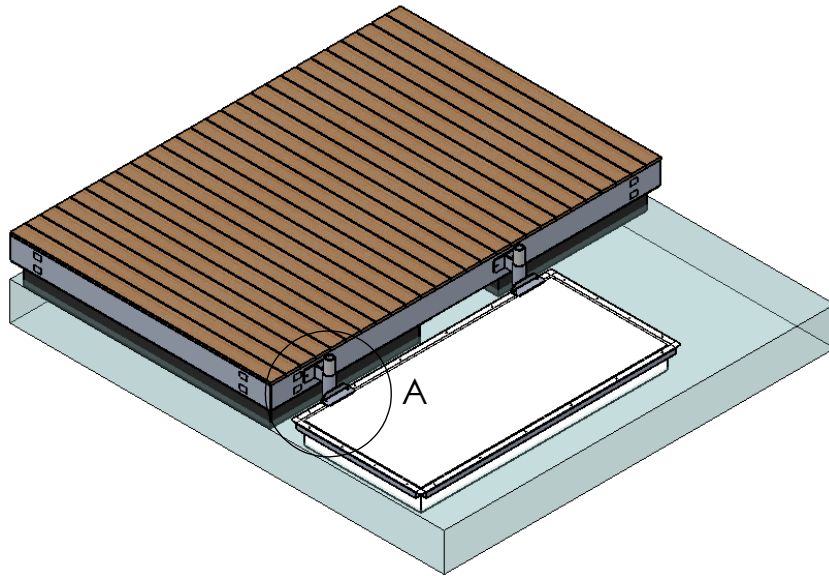
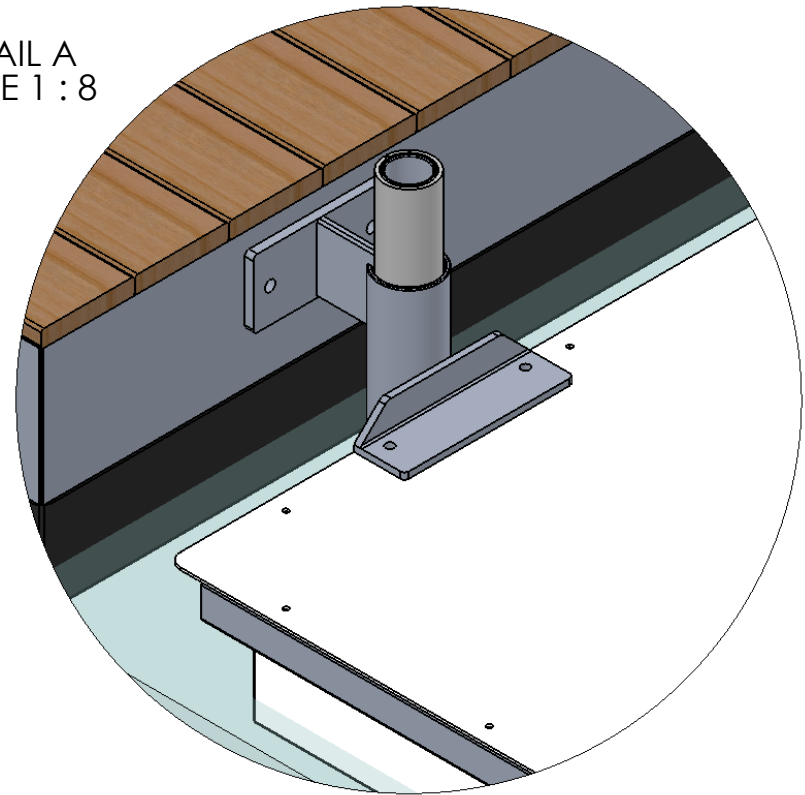


2

1

Side View

Dimension	Measurement
A (The height of the mounting face for the slide assembly)	
B (Distance from standing surface of dock to water surface)	

Isometric View**DETAIL A**
SCALE 1 : 8

Floating Dock Attachment Form

REV 1	DRAWN:	C. DiBiasio
SCALE:	CHECKED:	J. Harrison
SHEET 1 OF 1	DATE:	10/12/15

AccuDock
Your First Choice for Floating Dock Solutions

2

1