

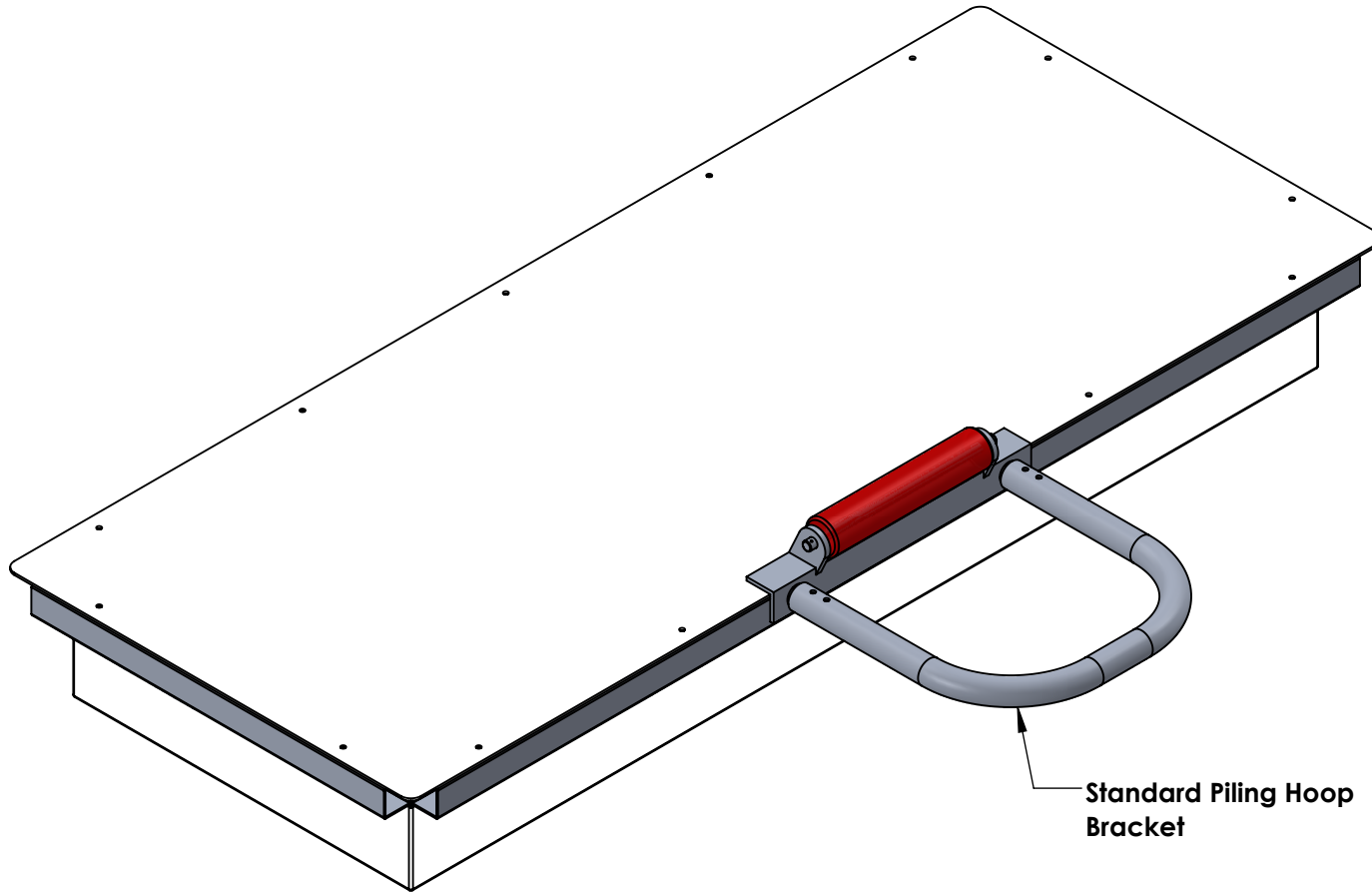
2

1

### Piling Hoop Bracket Attachment Method

B

B



Standard Piling Hoop Bracket

A

A

PART: Piling Hoop Bracket

REF #: ATT - P11

REV 1	DRAWN:	C. DiBiasio
SCALE: 1:10	CHECKED:	J. Harrison
SHEET 1 OF 4	DATE:	03/21/16



Your First Choice for Floating Dock Solutions

2

1

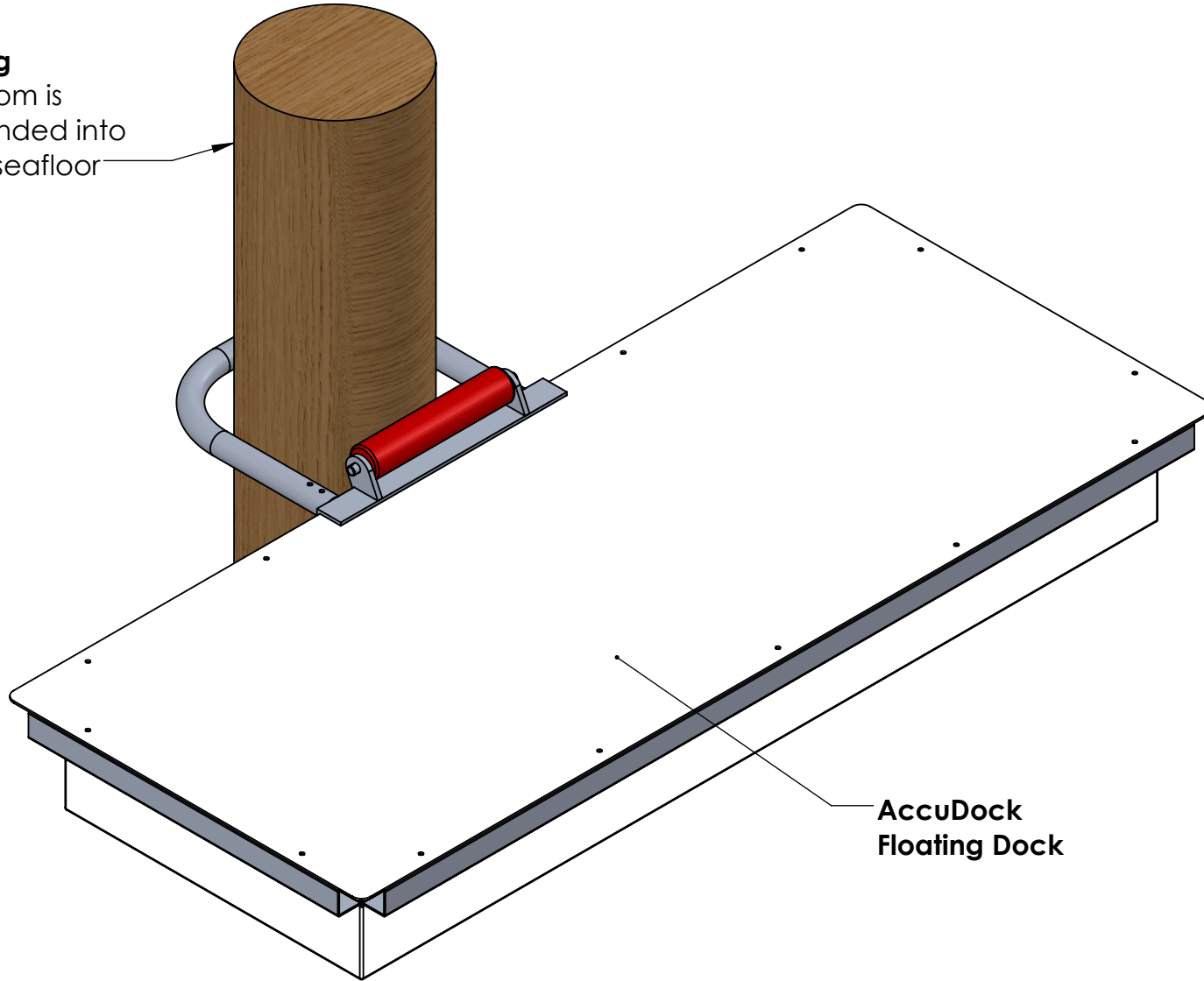
2

1

### Piling Hoop Bracket Attachment Method

#### Piling

Bottom is  
pounded into  
the seafloor



AccuDock  
Floating Dock

PART: Piling Hoop Bracket

REF #: ATT - P11

REV 1	DRAWN:	C. DiBiasio
SCALE: 1:10	CHECKED:	J. Harrison
SHEET 2 OF 4	DATE:	03/21/16



Your First Choice for Floating Dock Solutions

2

1

B

B

A

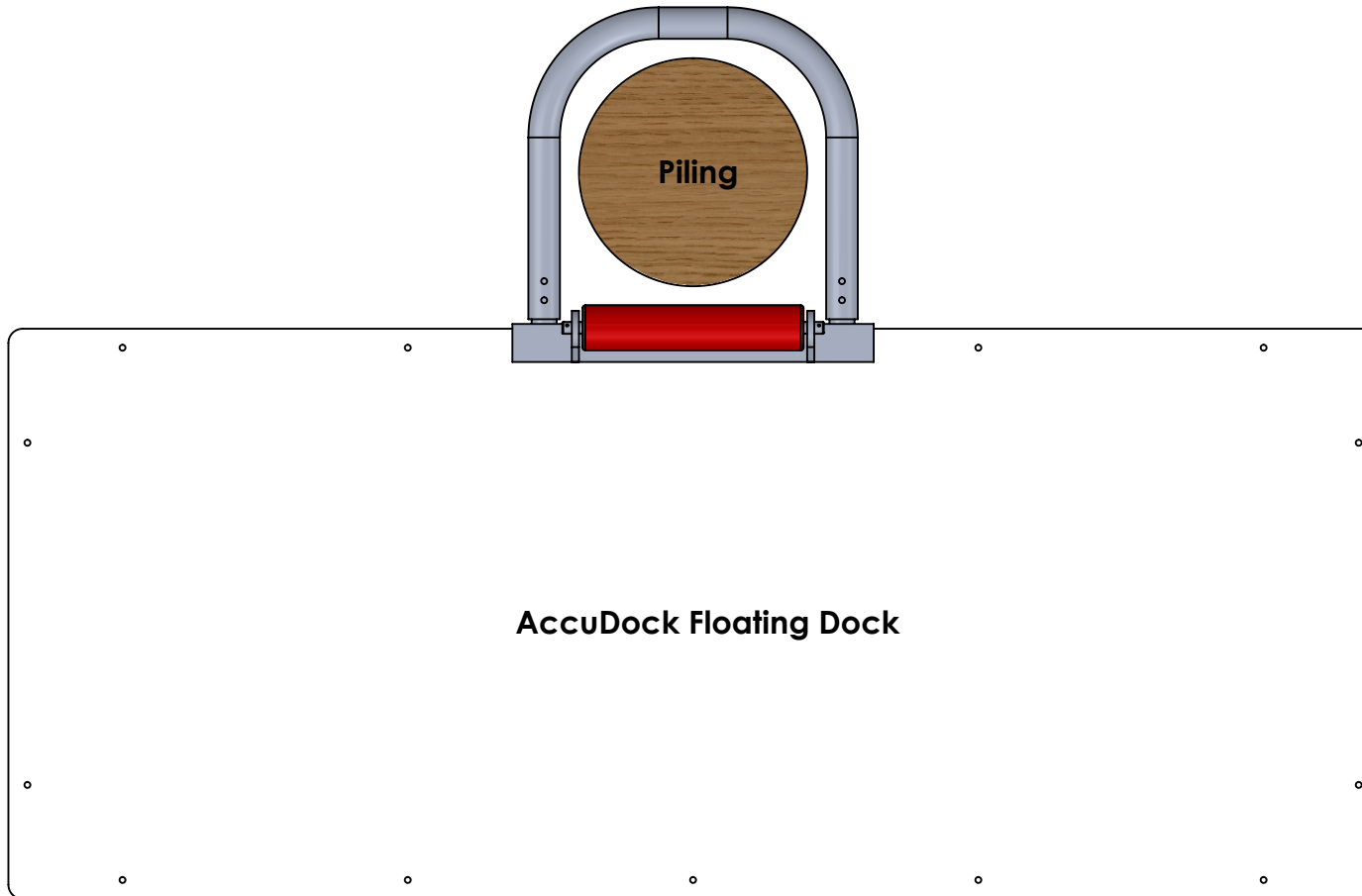
A

2

1

### Piling Hoop Bracket Attachment Method

#### Plan View



AccuDock Floating Dock

PART: Piling Hoop Bracket

REF #: ATT - P11

REV 1	DRAWN: C. DiBiasio
SCALE: 1:10	CHECKED: J. Harrison
SHEET 3 OF 4	DATE: 03/21/16

**AccuDock**  
Your First Choice for Floating Dock Solutions

2

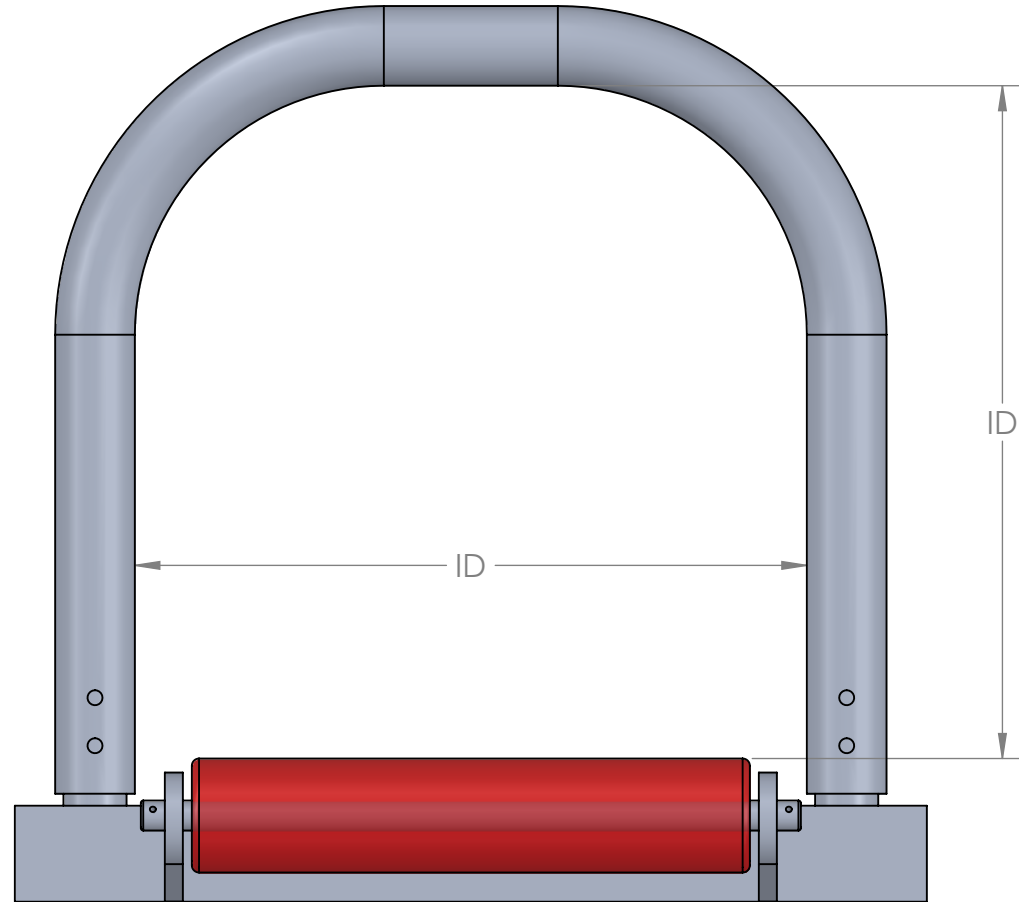
1

2

1

### Piling Hoop Bracket Attachment Method

#### Plan View



#### NOTES:

Standard Piling Hoop Bracket has an ID that is 2" larger than the piling diameter.

For example a 12" diameter piling will get a hoop bracket with a 14" ID.

This allows for a 1" gap all around the piling to prevent binding.

B

B

A

A

PART: Piling Hoop Bracket

REF #: ATT - P11

REV 1	DRAWN: C. DiBiasio
SCALE: 1:4	CHECKED: J. Harrison
SHEET 4 OF 4	DATE: 03/21/16

2

1